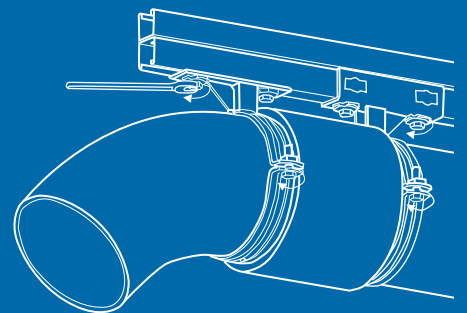
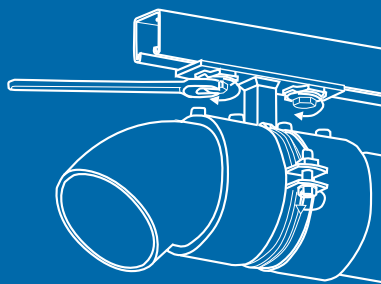
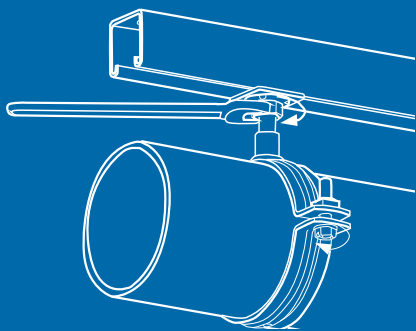


Kwikstrut

KWIKSTRUT- Roof Drainage products are a quick and cost effective way to install and support roof drainage systems.



tyco

KWIKSTRUT-Roof Drainage has developed a wide range of roof Drainage support fittings that are specifically designed to be used on full-bore flow rainwater drainage systems. Ensuring the pipes are fully filled with water, this system enables the installer to use less small diameter down pipes, while maintaining its flexibility to be positioned at different drainage points.



Strong and robust

KWIKSTRUT-Roof Drainage products guarantee high maximum allowable loads under extreme weather conditions.



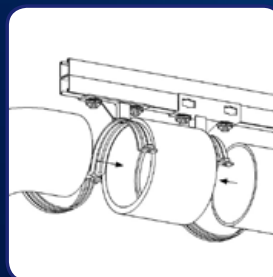
Customised design

KWIKSTRUT-Roof Drainage products are designed to engineer a total customised design solution.



Reduced installation time and cost

The fix points and pipe supports from KWIKSTRUT-Roof Drainage enable installers to reduce the time taken to mount the drainage pipes, which translates into an overall reduced cost.



Easy and quick to use

Our range of KWIKSTRUT-Roof Drainage systems consist of standard pipe supports and fix points that can easily be fitted on most Polyethylene pipes with one hand, saving time and money when out in the field.



Flexible and adjustable

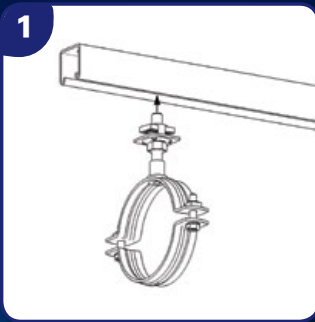
KWIKSTRUT-Roof Drainage products can be used on most Polyethylene pipes and are available in a wide range of materials and finishes.



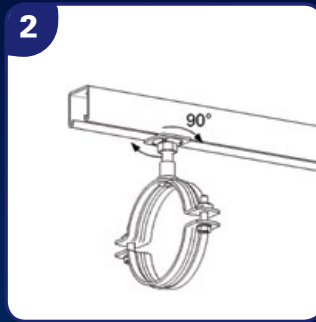
Fast delivery

KWIKSTRUT-Roof Drainage products are dispatched from our regional stocking centres, ensuring a quick response and optimised delivery times.

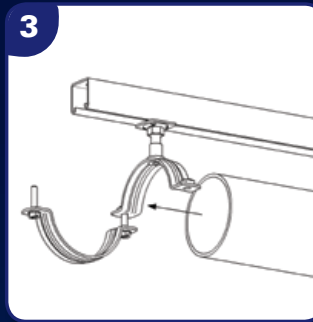
Roof Drainage Standard Pipe Supports - From DN40 to DN315:



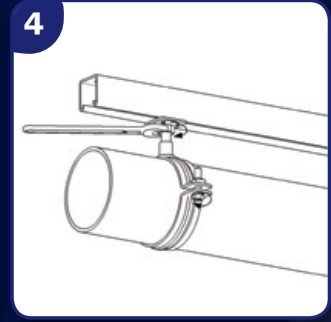
1 Insert the KWIKSTRUT-Roof Drainage fitting in the open side of KWIKSTRUT support channel.



2 Turn by hand the KWIKSTRUT-Roof Drainage Fitting 90 degrees clockwise.

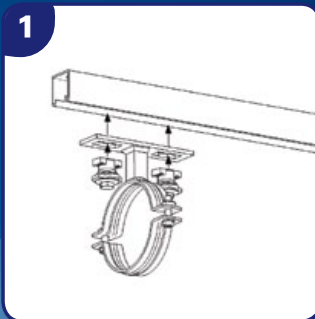


3 Open the pipe clamp, slide the pipe into position and close the pipe clamp.

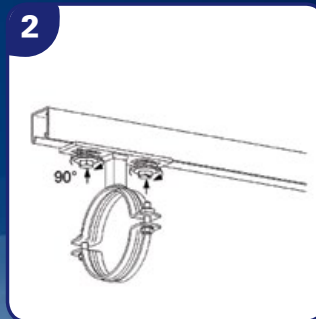


4 Using a screwdriver, tighten the pipe clamp screw clockwise and tighten the hexagon nut of the KWIKSTRUT-Channel Nut clockwise with a wrench.

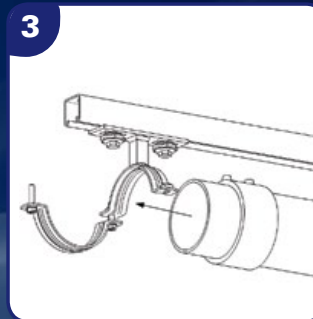
Roof Drainage Fix Points – from DN 40 to DN 160:



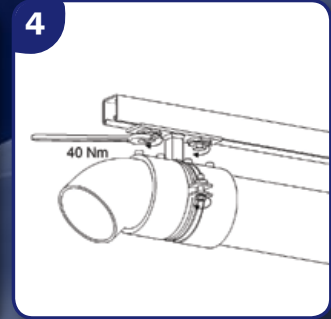
1 Position the KWIKSTRUT-Roof Drainage fix point on the open side of the KWIKSTRUT Support Channel. Then insert two KWIKSTRUT Channel Nuts QFNH into the support channel through the base plate.



2 Push and turn by hand the two KWIKSTRUT Channel Nuts QFNH 90 degrees clockwise and slide the fix point to the right position on the channel.



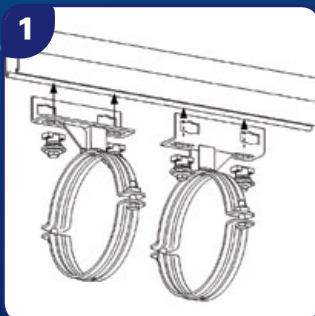
3 Open the pipe clamp, slide the plastic pipe in and close the pipe clamp.



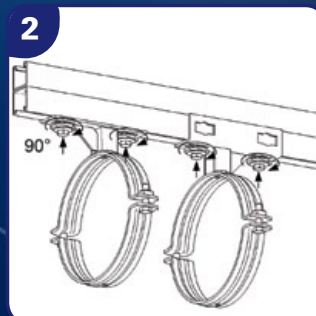
4 Push the second welding ring and the plastic pipe or fitting onto the already installed pipe end. Tighten the pipe clamp screw clockwise and then the two KWIKSTRUT Channel Nuts QFNH with a wrench with a minimum moment value of 40Nm.

Be aware that the two plastic welding rings must be welded on the plastic pipe.

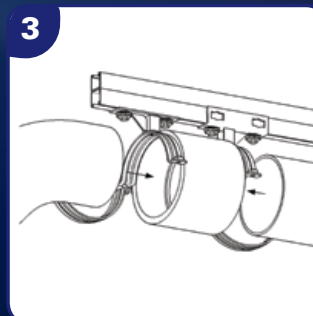
Roof Drainage Fix Points - from DN 200 to DN 315:



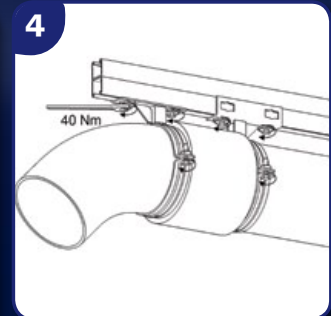
1 Position two KWIKSTRUT-Roof Drainage fix points on the open side of the KWIKSTRUT Support Channel (one on both sides of the channel) and insert four KWIKSTRUT Channel Nuts QFNH into the support channel through the base plate.



2 Push and turn by hand the four KWIKSTRUT-Channel Nuts QFNH 90 degrees clockwise and slide the fix points to the right position on the channel.




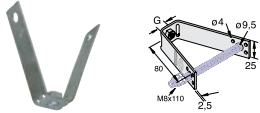
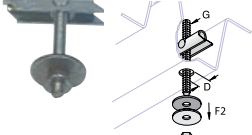
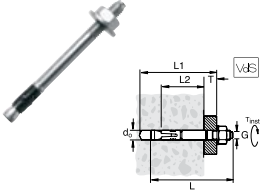

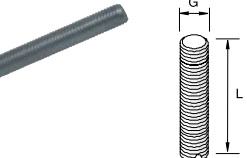



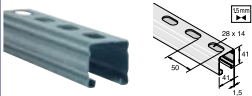
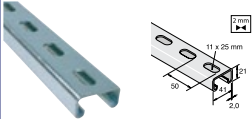
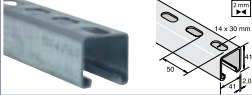


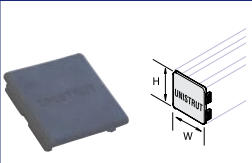
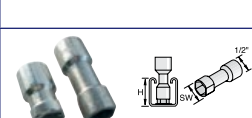
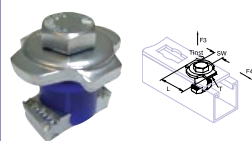
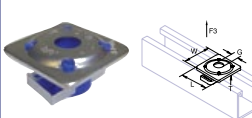
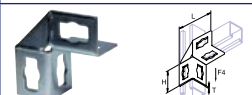
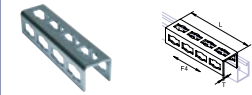



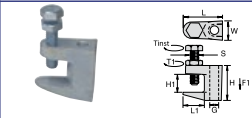
3 Open the pipe clamps and put the welding ring in-between the pipe clamps, slide the plastic pipe and/or fittings into both sides of the plastic welding ring and close the pipe clamps



4 Tighten the pipe clamp screw clockwise with a screwdriver and then tighten the two KWIKSTRUT Channel Nuts QFNH clockwise with a wrench with a minimum moment of 40Nm.

Be aware that the two plastic welding rings must be welded on the plastic pipe.

	Description	Article Number	Dimension (mm)	Weight (kg)	Material and Finish
	Roof Drainage Pipe Support - from DN40 to DN315	1131040 1131050 1131056 1131063 1131075 1131090 1131110 1131125 1131160 1131200 1131250 1131315	D 40 D 50 D 56 D 63 D 75 D 90 D 110 D 125 D 160 D 200 D 250 D 315	31.7 33.8 34.7 36.0 42.2 44.8 49.9 52.9 96.9 113.9 131.3 155.2	Steel DD11 - EN 10111 Electro zinc plated - DIN EN 12329
	Roof Drainage Fix Points - from DN40 to DN160	1136040 1136050 1136056 1136063 1136075 1136090 1136110 1136125 1136160	D 40 D 50 D 56 D 63 D 75 D 90 D 110 D 125 D 160	37.2 39.3 40.2 41.5 50.8 53.3 58.5 61.5 106.4	Steel DD11 - EN 10111 Electro zinc plated - DIN EN 12329
	Roof Drainage Fix Points - from DN200 to DN315	1136200 1136250 1136315	D 200 D 250 D 315	147.7 165.1 188.9	
	Trapeze Ceiling Fixing	1460408 1460410 TCB10 TCB8 TCBN12	G M8 HR G M10 HR G M10 G M8 G 13	11.6 11.5 12.1 11.1 10	Steel DD11 - EN 10111 Electro zinc plated - EN ISO 12329
	Tipping Dowel For Hollow Ceilings	TDM8x100 TDM8x200 TDM8x300 TDM8x500 TDM10x100 TDM10x200 1740065	D 22 D 22 D 22 D 22 D 25 D 25 D 15	10.7 13.9 16.3 24.3 13.1 18.2 4.8	Steel DX51D+Z275 - EN 10327
	Non Drill Anchor	EAM6 EAM8 EAM8x40 EAM10 EAM12 EAM16 EAM20	L 25 L 30 L 40 L 40 L 50 L 65 L 80	0.3 0.8 1.6 2.2 4.7 10 19	Steel Electro zinc plated
	Steel Anchor FAZ	1770801 1770803 1770805 1771001 1771003 1771005 1771201 1771203 1771205 1771210 1771216 1771602 1771605	L 77 L 97 L 117 L 95 L 115 L 135 L 110 L 130 L 150 200 250 150 175	3.1 3.8 4.4 6.2 7.2 8.1 10.1 11.5 12.9 16.4 21.1 23.5 23.5	Steel DD11 - EN 10111 Electro zinc plated
	Nuts DIN 934	9345M8 9345M10 9345M12 9345M16	G M8 G M10 G M12 G M16	0.5 1.1 1.6 3.2	Steel 8 DIN-EN-ISO 4032 Electro zinc plated
	Threaded Rod DIN 975	9755M6x1m 9755M6x2m 9755M6x3m 9755M8x1m 9755M8x2m 9755M8x3m 9755M10x1m 9755M10x2m 9755M10x3m 9755M12x1m 9755M12x2m 9755M12x3m 9755M16x1m 9755M16x2m	1000 2000 3000 1000 2000 3000 1000 2000 1000 2000 3000 1000 2000 3000	17 34 51 31.9 63.8 100 50 100 140 72.5 130 210 133 266	Steel 4.6 Electro zinc plated
	Rod Connectors And Reducers	63345M6 63345M8 63345M10 63345M12 63345M16	18 24 30 36 48	1 1.9 3.9 5.6 12.5	Steel Electro zinc plated

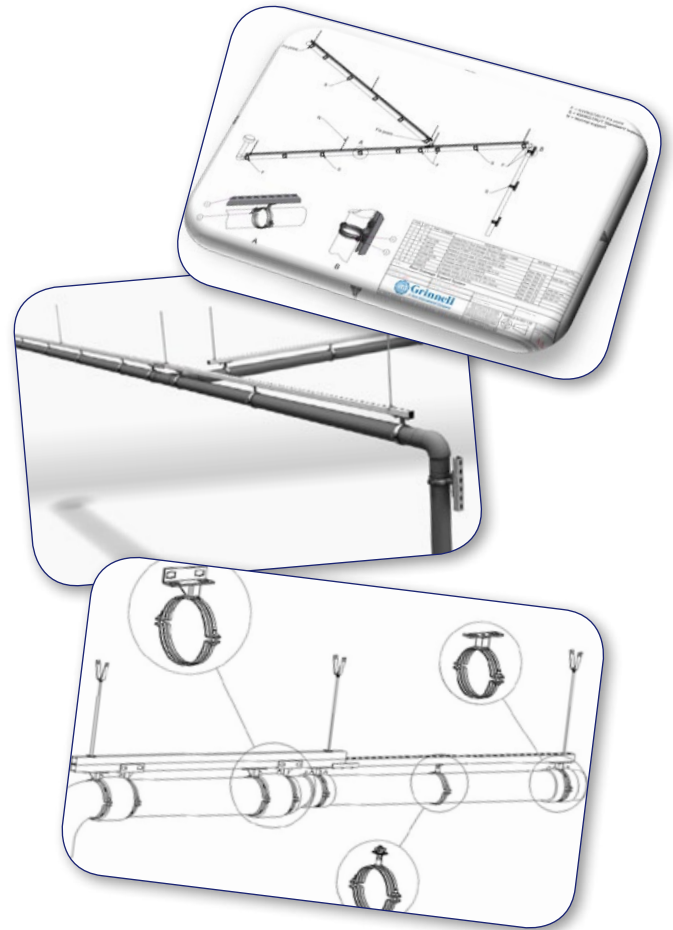
	Description	Article Number	Dimension (mm)	Weight (kg)	Material and Finish
	Single Channel T2000T	P2011223 P2011226	L 3000 L 6000	4.83 9.74	Steel DX51D + Z275 - EN 10142
	Single Channel T3100T10	P3111322 P3111323 P3111326	L 2000 L 3000 L 6000	2.88 4.32 8.64	Steel DX51D + Z275 - EN 10142
	Single Channel T1100T	P1111222 P1111223 P1111226	L 2000 L 3000 L 6000	4.36 6.54 12.56	Steel S280 + Z275 - EN 10326 : 2004
	Unistrut Single Channel P1000T	P1011222 P1011223 P1011226	L 2000 L 3000 L 6000	4.92 7.39 14.77	Steel S280 + Z275 - EN 10326 : 2004
	Unistrut Single Channel P5500T	P5511223 P5511226	L 3000 L 6000	9.76 19.52	Steel S280 + Z275 - EN 10326 : 2004
	Endcaps For Unistrut Channel	1392196 1392197 1392198 1394196 1394197 1394198 1396296 1396297 1396298	W 41 H 21 W 41 H 21 W 41 H 21 W 41 H 41 W 41 H 41 W 41 H 41 W 41 H 62 W 41 H 62 W 41 H 62	0.3 0.3 0.3 0.5 0.5 0.5 0.8 0.8 0.8	Polypropylene
	Channel Socket	17AF 17AF/P3300 19AF	H 41-83 H 21 H 41-83	12.5 12.5 13.5	Steel DD11 - EN 10111
	Uni Lock Channel Nut	1391016	L 40	8.1	Bolt DIN 933-8.8; Nut Steel S235JR - EN 10025; Washer Steel DX51D-Z275 EN 10327 Electro zinc plated - EN ISO 12329
	Channel Nut With Square Washer	1390621 1390821 1391021 1391221	L 40 W 40 L 40 W 40 L 40 W 40 L 40 W 40	6.4 6.0 5.9 5.9	Nut S460MC - EN 10149; Washer Steel DX51D-Z275 - EN 10327 Electro zinc plated - EN ISO 12329
	Angle Fitting 90°	1399055 1399065	L 103 H 58 L 150 H 106	24.3 41.7	Steel DD11 - EN 10111 Electro zinc plated - EN ISO 12329
	Channel Coupler	1394148	L 193	50.5	Steel DD11 - EN 10111 Electro zinc plated - EN ISO 12329
	Channel Foot Brackets	3910073	W 41	84.1	Steel DD11 - EN 10111 Electro zinc plated - DIN EN 12329
	Channel Foot Brackets	3910074	W 41	70.9	Steel DD11 - EN 10111 Electro zinc plated - DIN EN 12329
	Beamclamp For Unistrut Channel	P2785 P2786 P2788	H 21-41 H 62-83 H 124-165	36 40 40	Steel DD11 - EN 10111 Electro zinc plated - DIN EN 12329
	Beam Clamp	UBC6T UBC8T UBC8D UBC10T UBC10D UBC12T UBC12D 90M162	L 36 H 35 L 36 H 35 L 36 H 35 L 45 H 40 L 45 H 40 L 50 H 46 L 50 H 46 L 51 H 39	8.5 8.5 8.5 15.7 15.1 20.9 21.2 27.5	Malleable Iron - EN 1562-1997 Electro zinc plated - EN ISO 12329

From design...To build

In order to meet our clients' requirements and the industrial standards for roof drainage support systems, Tyco FPP offers CAD drawings and mechanical design services that help to ensure that our KWIKSTRUT-Roof Drainage support solutions and systems are applied in the best possible manner during the concept, design, installation and maintenance phase.

Our technical design services provide:

- Expansion and fix point force calculations
- Static linear material calculations of our channels
- Easy-to-follow, tagged 3D Isometric Drawings with complete Bill of Material (BOM) tables
- Assembly drawing for installation purpose
- CAD drawings
- Calculation tools
- Typical roof drainage support solutions



Headoffices:

Worldwide:

USA
Lansdale (PA)
Tel: + 1 215-362-0700
Fax: + 1 215-362-5385

Regional offices:

Europe / Middle East /
Africa (EMEA)
The Netherlands
Enschede
Tel.: +31 (0)53 4284444
Fax: +31 (0)53 4283377

Asia
Singapore
Tel: + 65 6861 1655
Fax: + 65 6861 1312

Subsidiaries EMEA

Austria
(Wien)
Tel: +43 (0)1 2710049
Fax: +43 (0)1 2710142

Belgium
(Mechelen)
Tel: +32 (0)15 285555
Fax: +32 (0)15 206076

France
(Paris)
Tel: +33 (0)1 48178727
Fax: +33 (0)1 48178720

Germany
(Rodgau)
Tel: +49 (0)6106 84455
Fax: +49 (0)6106 18177

Hungary
(Budapest)
Tel: +36 (0)1 4811383
Fax: +36 (0)1 2034427

Italy
(Nerviano)
Tel: +39 0331 583000
Fax: +39 0331 583030

The Netherlands
(Enschede)
Tel: +31 (0)53 4284444
Fax: +31 (0)53 4283377

Norway
(Lørenskog)
Tel: +47 67 917700
Fax: +47 67 917715

Spain
(Madrid)
Tel: +34 91 3807460
Fax: +34 91 3807461

Sweden
(Lammhult)
Tel: +46 (0)472 269980
Fax: +46 (0)472 269989

United Arab Emirates
(Dubai)
Tel: +971 48838689
Fax: +971 48838674

United Kingdom & Ireland
(Manchester)
Tel: +44 (0)161 8750400
Fax: +44 (0)161 8750490 (0491)

tyco

www.tyco-fsbp.com